

Product Data Sheet

No. **48711** - 03/18

10-WATT LED WORK LIGHT 20-WATT LED WORK LIGHT

PRODUCT NUMBERS: 8711 - 10-WATT LED WORK LIGHT
8712 - 20-WATT LED WORK LIGHT

I. GENERAL DESCRIPTION

Description: Aervoe's Work Lights are durable and feature models with a high-powered 10-watt or a 20-watt Epistar LED. They are rechargeable from the included 120V or 12V chargers or using any Sierra Wave® solar collector or portable power center. They can be mounted on the single-mount stand (included) or two can be installed on the optional Metal Stand (#8715 sold separately).

Benefits: Portable, lightweight, and durable lighting for any application. Can be charged ahead of time and taken to remote locations for work or emergency light. If power is available the Work Light can be directly operated from the included chargers.

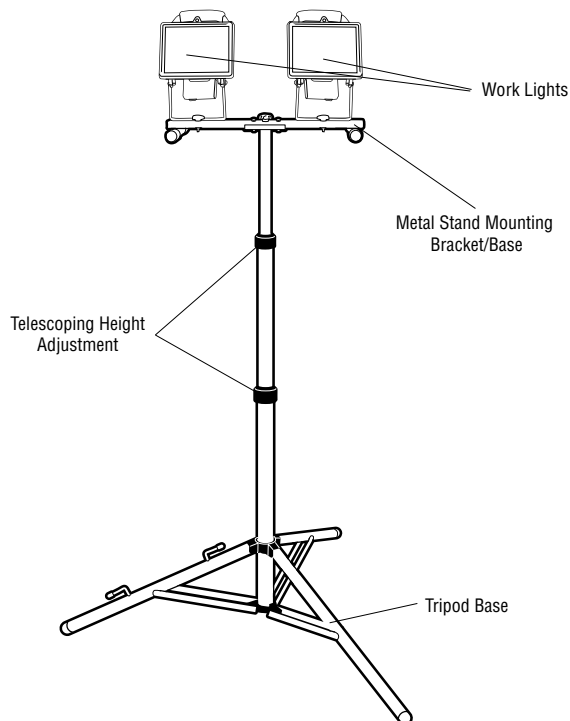
Uses: Indoors or out, use it on construction sites, for home improvement projects, during power outages and for emergency preparedness.

Warnings: Read operating instructions thoroughly prior to use. Do not use in flammable or explosive environments. 10- and 20-Watt Work Lights are not certified for intrinsically safe applications. Never use if damaged or if electrical components are exposed. Only use the provided CE and C/UL certified AC and DC chargers that are supplied with this product or an equivalent replacement with the same inputs and outputs as listed in the specifications section. Failure to use the specified charger could be hazardous, cause damage to the product and voids the warranty. Monitor during charging and disconnect when charging has finished. Do not look directly at the lights as eye damage could occur.

Packaging:

#8711 Each box:	6 lbs. (2.7 kg)	0.19 CF (0.005 CM)	7.1" x 7.09" x 6.5" (18 x 18 x 16.5 cm)
#8711 Case (4/case)	24 lbs. (10.9 kg)	1.03 CF (0.03 CM)	15.4" x 14.2" x 8.1" (39 x 36 x 20.6 cm)
#8712 Each box:	15 lbs. (6.8 kg)	0.39 CF (0.01 CM)	9.5" x 8.9" x 8.1" (24 x 22.6 x 20.6 cm)
#8712 Case (2/case)	30 lbs. (13.6 kg)	0.95 CF (0.03 CM)	18.5" x 9.8" x 9.1" (47 x 25 x 23 cm)
#8715 Each box:	7 lbs. (3.2 kg)	0.39 CF (0.01 CM)	5.5" x 4.7" x 26.4" (14 x 12 x 67 cm)
#8715 Case (2/case)	14 lbs. (6.4 kg)	0.90 CF (0.03 CM)	26.8" x 9.8" x 5.9" (68 x 75.7 x 15 cm)

II. PARTS IDENTIFICATION



III. SPECIFICATIONS

LEDs.....	1 10-Watt Epistar LED.....	1 20-Watt Epistar LED	
Lumens.....	800.....	1400	
Internal Rechargeable Battery.....	7.4V, 4400 mAh lithium ion.....	7.4V, 8800 mAh lithium ion	
DC Input.....	12V DC		
Included Chargers.....			
120V AC Charger Input.....	100-240V AC 50-60Hz.....	100-240V AC 50-60Hz	
120V AC Charger Output.....	12V DC - 1000 mAh.....	12V DC - 2000 mAh	
12V DC Charger Input.....	12V DC.....	12V DC	
12V DC Charger Output.....	12V DC - 1500 mAh.....	12V DC - 1500 mAh	
Materials of Construction.....	Weather resistant aluminum, plastic, glass.....	Weather resistant aluminum, plastic, glass.....	Steel, Plastic
Weight.....	2 lbs.....	3.75 lbs.....	6.5 lbs.
Dimensions.....	5.75" x 6.5" x 9.5" H (146 x 165 x 241mm)	8.5" x 7" x 10" (216 x 178 x 254mm)	Extends from 34" to 5'
Ratings.....	IP65, CE, ROHS Compliant.....	IP65, CE, ROHS Compliant	

III. SHIPPING, STORAGE AND HEALTH

UN number.....	UN30914
Proper Shipping Description.....	Lithium Batteries, contained in equipment
Hazard Class.....	9
Packing Group.....	II
Limited Quantity.....	N/A
Warehouse storage level number.....	N/A
Storage temperature.....	59° - 95°F (15° - 35°C)
Shelf life.....	1-2 years
HMIS ratings	
Health.....	N/A
Fire.....	N/A
Reactivity.....	N/A

IV. MISCELLANEOUS

Contains no Ozone Depleting Substances (O.D.S.)

V. WARRANTY

1-year warranty to the original registered owner on all products from date of purchase. User returns, exchanges and defective refunds must be made with the original place of purchase. Because Aervoe cannot control Buyer's handling or use of product, Aervoe makes no warranty expressed or implied when not used or stored in accordance with directions. Aervoe shall not be liable for cost of labor, incidental or consequential damages, and this warranty is limited to replacement or repair of product or credit of purchase.