

Product Data Sheet

UNIVERSAL ROAD FLARE KITS

No. 41162 - 03/18

PRODUCT NUMBER:

- 1160 - SAFETY YELLOW KIT WITH AMBER LEDS - 4-PACK CHARGING STAND
- 1161 - SAFETY ORANGE KIT WITH RED LEDS - 4-PACK CHARGING STAND
- 1162 - SAFETY YELLOW KIT WITH AMBER LEDS - 6-PACK CHARGING CASE
- 1163 - SAFETY ORANGE KIT WITH RED LEDS - 6-PACK CHARGING CASE

US Patent #D707,146 & 9,046,229



I. GENERAL DESCRIPTION

Features: The AerVOE Universal Road Flare Kits are available in two charging options. A 4-pack stacking charging stand or a 6-pack charging case. Each kit contains extremely durable, rechargeable 18-LED flares that are a safe alternative to incendiary flares. Each flare is made of crushproof polycarbonate plastic with an impact resistant rubber housing. It features 7 flash patterns, including S.O.S. Rescue Morse Code, with visible light range up to 1 mile. The housing is waterproof and will float. Also includes a strong magnet to attach it to any magnetic metal surface. The Charging Stand model includes a hook & loop strap to keep flares secure in the stand.

The 1160 & 1161 Kits come with four LED road flares, a stacking charger, a 120V AC charger and a 12V power cable. The 12V power cable allows a direct to the vehicle charging system. The stacking charger may be mounted on any horizontal or vertical surface.

The 1162 & 1163 Kits come with a total of 6 road flares, a storage case that also operates as the charging case, a 120V wall charger, and a 12V car charger.

Benefits: These rechargeable LED flares replace toxic incendiary flares. There is no smoke, flame or ash created when as when incendiary flares are burned. The Road Flare is a convenient way to signal detours or road hazards. It may be attached to a magnetic metal surface, including cars, trucks, and signs, using the heavy duty N35 magnet. The rechargeable design means there are no batteries to replace.

Uses: May be used in any weather condition. Ideal for road safety identification by emergency responders, or for personal vehicle operators as an emergency signaling device. May also be used on construction sites and in marine applications for boater emergency safety. Place on the road, any magnetic surface, in the water, and much more.

Warnings: Read operating instructions thoroughly prior to use. 1160 & 1161 models using the 12V power cable option should only be installed by a certified vehicle mechanic. If used in wet environments, thoroughly dry flares prior to charging or storage to eliminate corrosion on charging contacts. Only use the provided CE and C/UL certified AC and DC chargers supplied with this product or an equivalent replacement with the same inputs and outputs as listed in the specification section. Failure to use the specified charger could be hazardous or cause damage to the product. Monitor during charging and disconnect when charging has finished.

DOT & Traffic Safety Compliance:

1. U.S. DOT (FMCSA) 49 CFR § 392.25 & 393.95 (g)
Prohibits the carrying of any flame-producing flare on any Commercial Motor Vehicle (CMV) transporting explosives; any cargo of flammable liquid or flammable compressed gas, whether loaded or empty; or any CMV using compressed gas as a motor fuel.
2. MUTCD Type A (flashing) and Type C (solid on)
3. NFPA 1901 Standards for Traffic Safety, Section 6.7.3 Miscellaneous Equipment.

Packaging:

1160/1161 Each Kit:	3.5 lbs. (1.6 kg)	0.12 CF (0.003 CM)	4.88" x 5.5" x 7.75"
1160/1161 Case (2/case):	8 lbs. (3.6 kg)	0.43 CF (0.01 CM)	11.75" x 5.88" x 10.63"
1162/1163 Each Kit:	7 lbs. (3.2 kg)	0.48 CF (0.01 CM)	16.75" L x 12.375" W x 4" H
1162/1163 Case (2/case):	16 lbs. (7.3 kg)	1.09 CF (0.03 CM)	17.3" L x 8.5" W x 12.75" H

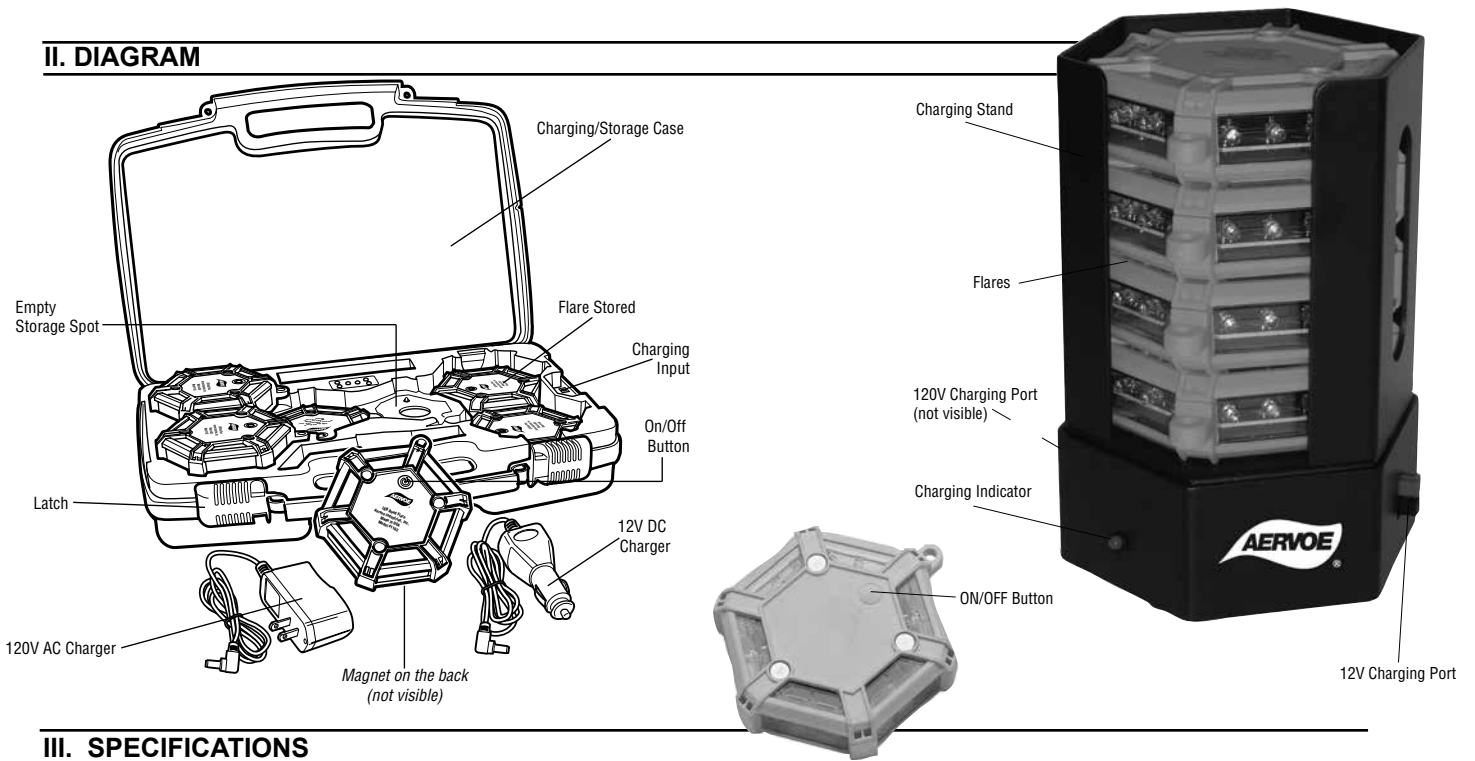


AerVOE Industries, Inc.
P.O. Box 485, Gardnerville, NV 89410



(775) 783-3100 Phone • (775) 782-5687 Fax • (800) 227-0196 Customer Service
www.aerVOE.com • mailbox@aerVOE.com

II. DIAGRAM



III. SPECIFICATIONS

Internal Rechargeable Battery.....	Lithium Polymer 1200mAh ~ 3.7V
18 LED Bulbs.....	5 mm; 20,000 MCD; 100,000 hour life
Charging Specifications 1160/1163	
120V AC/DC Charger (CE & C-UL Listed)	Input: 100-240V AC 50-60 Hz Output: 5.5V, 2500mA
12V Power Cable.....	Input: 14.5V DC (charge current starts at around 1.2A and falls to 3.4mA when flares are charged)
Charging Specifications 1162/1163	
120V AC/DC Charger (CE & C-UL Listed)	Input: 100-240V AC, 50-60 Hz Output: 5.5V DC 2500mAh
12V DC Charger (CE).....	Input: 12-14.5V DC
Charging Times (from empty):.....	1160/1161: 4-6 hours for all 4 flares 1162/1163: 8-10 hours for all 6 flares
Temperature Range.....	14°F to 122°F (-10°C - 50°C)
Weight	1160/1161: 3.5 lbs. (1.6 kg) 1162/1163: 6.7 lbs. (3.03 kg)
Dimensions.....	1160/1161: 4.75 x 5.63 x 7.75 (12 x 14.3 x 19.7 cm) 1162/1163: 16.75" L x 12.375" W x 4" H (42.55 x 31.43 x 10.16 cm)

FLASH PATTERN	TYPICAL RUN TIME	FLASH PATTERN	TYPICAL RUN TIME
#1 - ROTATE	15+ HOURS	#5 - S.O.S. RESCUE (MORSE CODE)	23+ HOURS
#2 - QUAD FLASH	15+ HOURS	#6 - STEADY ON	9+ HOURS
#3 - ALTERNATING BLINKS	15+ HOURS	#7 - 3-LED MARKER LIGHT	36+ HOURS
#4 - QUICK FLASH	20+ HOURS		

IV. SHIPPING, STORAGE AND HEALTH

UN number	N/A
Proper Shipping Description	Not regulated material
Hazard Class	N/A
Packing Group	N/A
Limited Quantity.....	N/A
Warehouse storage level number.....	N/A
Storage temperature.....	59° - 95°F (15° - 35°C)
Shelf life	1-2 years
HMIS ratings	
Health.....	N/A
Fire.....	N/A
Reactivity	N/A

V. MISCELLANEOUS

VI. WARRANTY

1-year performance warranty on all products from date of purchase. Report to home office or local Aervoe representative for examination. Because Seller cannot control Buyer's handling or use of product, Seller makes no warranty expressed or implied when not used or stored in accordance with directions. Seller shall not be liable for cost of labor, incidental or consequential damages, and this warranty is limited to replacement of product or credit of purchase.

No. 41162- 03/18